

DIRECT MOTOR ACTIVATION

General information

Do not lubricate electronic locks.

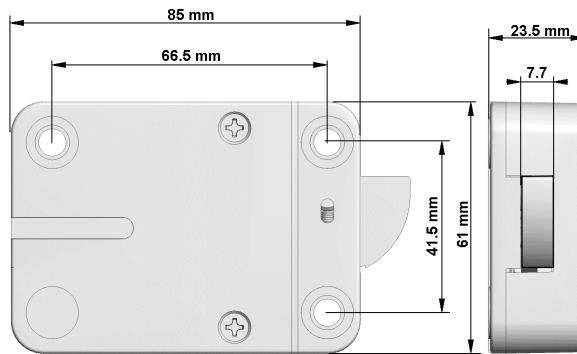
Locks mounting dimensions are standard.

Locks can be mounted in all four mounting directions (VU-VD-HL-HR). All blocking directions can be achieved with RotoBolt simply by flipping the lock.

All the locks are delivered with M6 mounting screws: only use supplied screws to mount the locks. Tighten the screws securely so the lock body is attached firmly to a flat mounting surface (torque 3.5-5Nm).

In the locked position, there should be approximately 1mm clearance between the lock bolt and the cavity in the blocking bar of the boltwork. The lock bolt must move freely into the cavity.

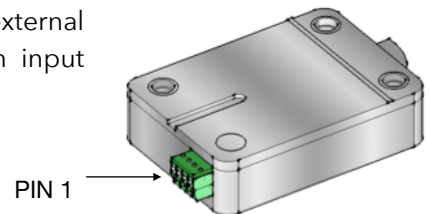
Open the lock several times before closing the door.



RotoBolt EM2010 can be directly activated by alarm systems or external devices providing 5-12VDC ($\pm 10\%$) at 300-600mA (depending on input voltage).

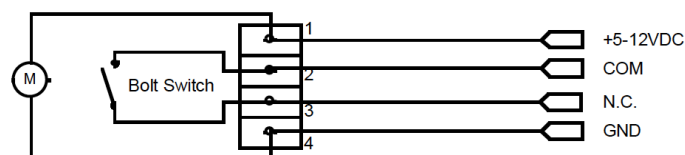
When power is applied to the lock, motor turns to open position and turns back when power is off.

Lock features internal mechanical bolt switch to be monitored by alarm system (NC) or to trigger motor off when bolt opens.

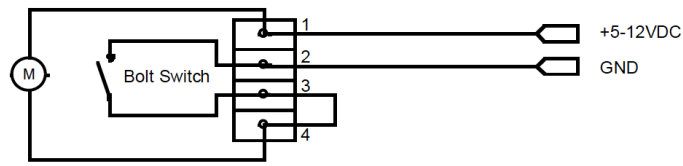


Find below connection options

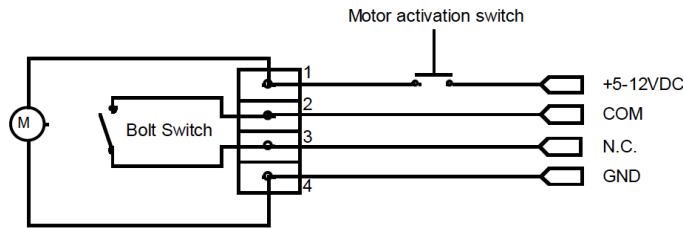
Direct activation with bolt status monitoring (lock closed - switch closed).



Direct activation with bolt status triggering motor off when lock opens (lock closed - switch closed).



Direct power supply through motor activation additional switch and bolt status monitoring (lock closed - switch closed).



Direct power supply through motor activation additional switch and bolt status triggering motor off when lock opens (lock closed - switch closed).

